



English

norcool
cold by nature



OPERATING & INSTALLATION INSTRUCTIONS



CAVE 30 BU DZ | CAVE 60 BU DZ | CAVE 60 BU DZ D



Please visit www.norcool.no for operating & installation instructions in other languages.

1. Safety Instructions & warnings	5
2. Description of the appliance & equipment	8
3. Pre-installation	9
4. Installation instructions.....	10
5. Control panel & operation instructions.....	13
5.1 Switching on/off the cooler	13
5.2 Temperature settings.....	13
5.3 Light function	13
5.4 Lock/unlock function.....	13
5.5 Door alarm	13
5.6 Defrosting	13
6. Climate class	14
7. Wine storage.....	15
8. Cleaning & maintenance.....	15
9. Noises	16
10. Troubleshooting instructions.....	16
11. Technical specifications	17
12. Disposal of used products.....	17

1. Safety instructions and warnings

Please read these instructions fully before installing or operating the product.



THE MANUFACTURER OF THIS APPLIANCE CANNOT BE HELD LIABLE FOR DAMAGE CAUSED BY NONCOMPLIANCE WITH THESE SAFETY INSTRUCTIONS AND WARNINGS.

- Secure the accessories during transportation to prevent damage.
- The appliance is designed for use within a certain temperature range (ambient temperatures), and should not be used outside this range. The temperature range for your appliance is specified on the data plate inside the appliance.

WARNING: Do not install or use a damaged appliance. Contact your manufacturer immediately for further advice before connecting the power cord.

WARNING: Due to the instability of the appliance, install the product in accordance with the instructions to avoid potential hazard.

WARNING: Do not damage the refrigerant circuit. Carry and position the appliance with care to prevent damage on the refrigerant circuit.

WARNING: Do not block the appliance's vents, as this will impair the efficiency of the appliance, increase its electricity consumption and could damage the appliance.

This appliance contains the refrigerant Isobutane (R600a), a natural, environmentally friendly gas. It is important to ensure that no components of the cooling system were damaged during transport or installation. Leaking refrigerant can damage the eyes.

In the event of any damage:

- Avoid open flames, switching the thermostat, and anything which creates a spark.
- Disconnect from the mains.
- Air the room in which the appliance is located for at least an hour.
- Contact the manufacturer for further advice.



R600a

According to the EN378 standard, the room must be at least 1 m³ per 8 g of cooling agent. The amount of refrigerant in the appliance is stated on the data plate inside the appliance.

WARNING: Leaking refrigerant can form a flammable gas-air mixture in rooms which are too small.

The electrical safety of this appliance can only be guaranteed when there is an unbroken connection between the appliance and an effective earthing system, which complies with current local and national safety regulations. It is very important that this basic safety requirement is met and checked regularly. If there is any doubt, the household wiring must be checked by a qualified electrician.

Service and repairs may only be carried out by an authorized and qualified service technician in accordance with national and local safety regulations. Ensure the appliance is not plugged in during maintenance or repair work.

The appliance is only completely isolated from the electricity supply when:

- It has been unplugged
- The mains fuse has been switched off
- The screw-in plug fuse has been removed (in countries where this is applicable)

WARNING: If the power cord is damaged, it must be replaced by the manufacturer, its service agent or similarly qualified persons in order to avoid a hazard.

WARNING: Before connecting the appliance, make sure that the connection data on the data plate (voltage and frequency), matches the mains electricity supply. This data must correspond in order to avoid the risk of damage to the appliance. Consult a qualified electrician if in any doubt.

WARNING: Do not connect the appliance to the mains electricity supply using an extension cord. Extension cords do not guarantee the required safety of the appliance (e.g. danger of overheating).

WARNING: Do not splash water on the appliance. It may cause electrical parts to fail and result in an electric shock.

WARNING: Do not use any electrical equipment inside the storage compartments of the appliance unless they are of the type recommended by the manufacturer. Danger of sparks and explosion.

WARNING: Do not use a steam-cleaning appliance to clean the appliance. Steam could reach the electrical components and cause a short circuit.

Children aged from 8 years and above, and persons with reduced physical, sensory or mental capabilities or lack of experience and knowledge can use this appliance if they have been given supervision or instruction concerning use of the appliance in a safe way and understand the hazards involved. Children shall not play with the appliance. Children without supervision shall not perform cleaning and user maintenance.

This appliance is intended for domestic use only and only for storing wine. It is designed for indoor use only and must be protected from rain, moisture and extreme temperature variations.

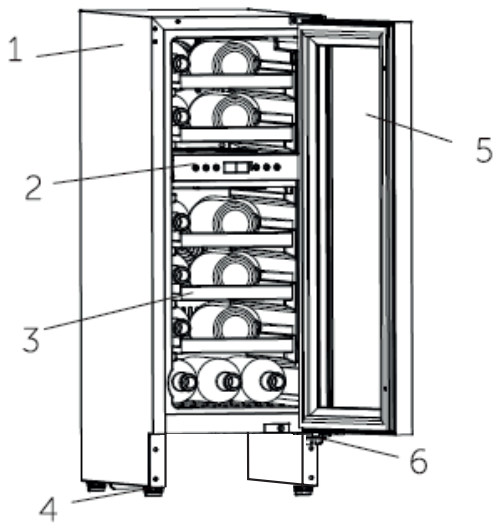
WARNING: Do not store explosive substances such as aerosol cans with a flammable propellant in this appliance.

WARNING: Do not sit, stand or place any other heavy objects on top of the appliance. This could result in injury or damage to the appliance.

2. Description of the appliance & equipment

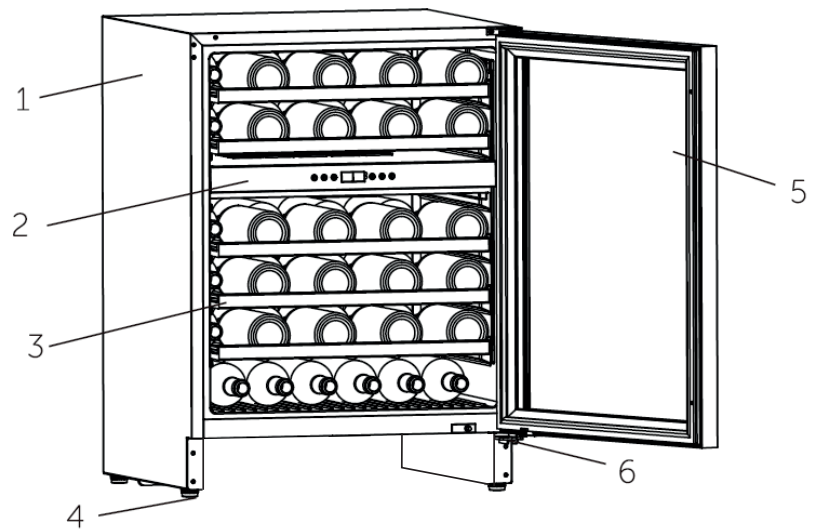
CAVE 30

Built Under - Dual Zone



CAVE 60

Built Under - Dual Zone

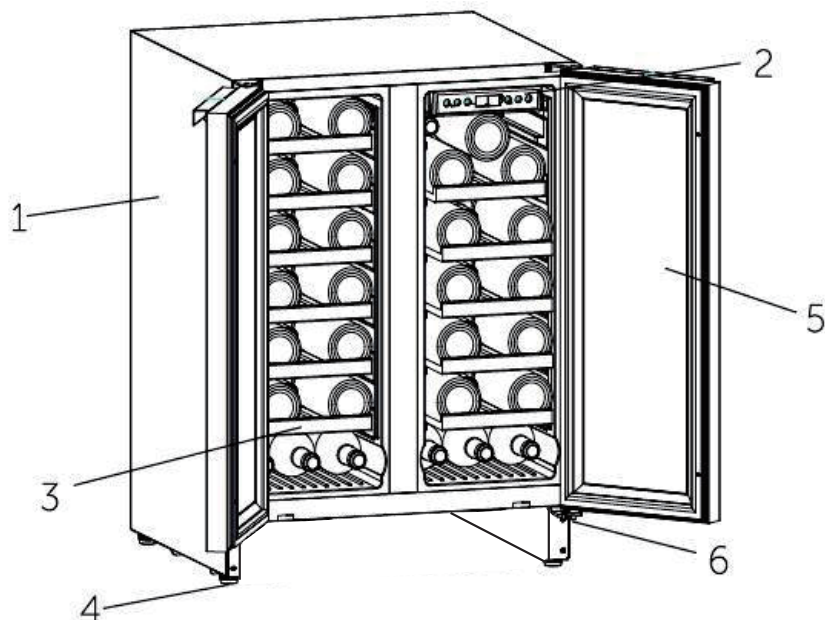


- 1 Cabinet
- 2 Touch control panel
- 3 Wine shelves

- 4 Levelling feet
- 5 Glass door
- 6 Lower door hinge

CAVE 60

Built Under - Dual Zone - Double Door



Before installation

Unpack the appliance and check for any transportation damage. In the event of damage, please contact the transportation company to make sure that the damage is noted on the delivery documents. Do not use a damaged product. Contact the manufacturer if the cooler is damaged.

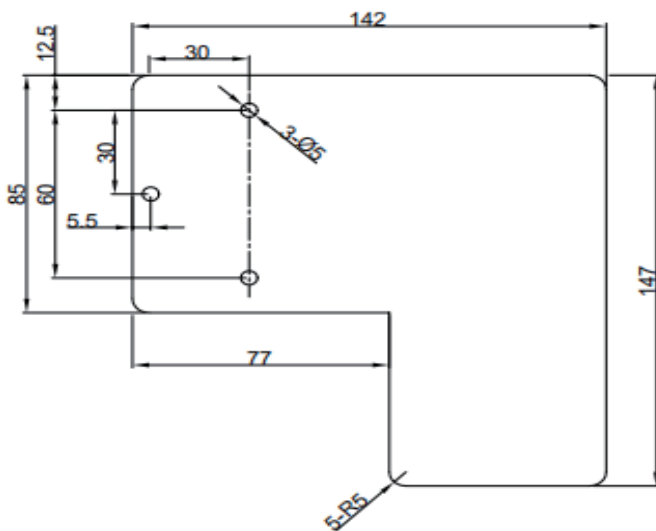
If item list is provided in the manual, check that all the components are included and correct. Contact the manufacturer if parts are missing.

Location

The appliance should be installed in a dry, well-ventilated room indoors. The room temperature should not move above or below the temperature range for which the appliance is designed. A high ambient temperature in a room will increase the appliance's energy consumption.

The appliance should not be installed where it is exposed to direct sunlight or directly adjacent to a heat producing appliance such as an oven or a radiator.

Installation instructions of middle partition extension:

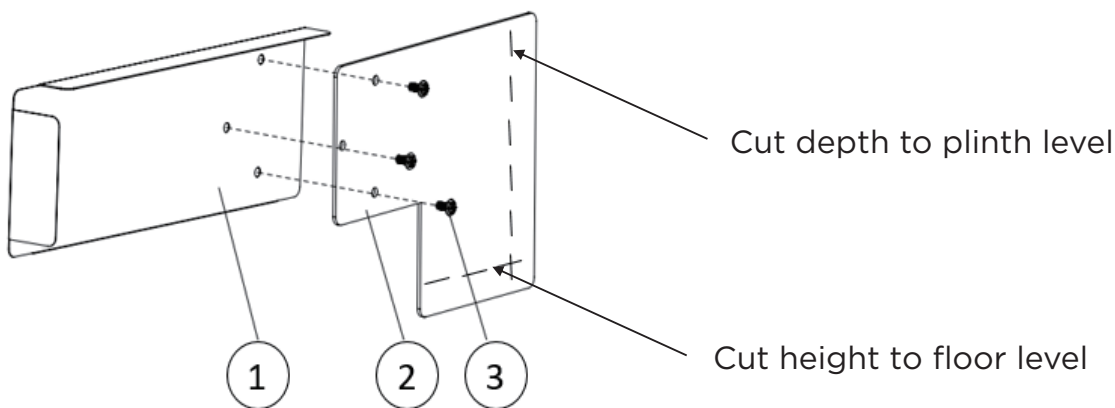


One piece of plastic middle partition extension plus three screws.



How to fix the plastic middle partition extension with metal middle partition together?

1. A scissor or knife can easily cut the plastic partition. Take it out of its plastic bag and cut it to a suitable size according to your individual kitchen appliance. Be careful not to hurt yourself.
2. There are three holes on the metal middle partition of the wine cooler (on the bottom of the cooler).
3. There are three holes on the plastic middle partition extension.
4. Take out the three screws from the plastic bag, then use a screwdriver to fix the two partitions together with the screws as shown on the image below.

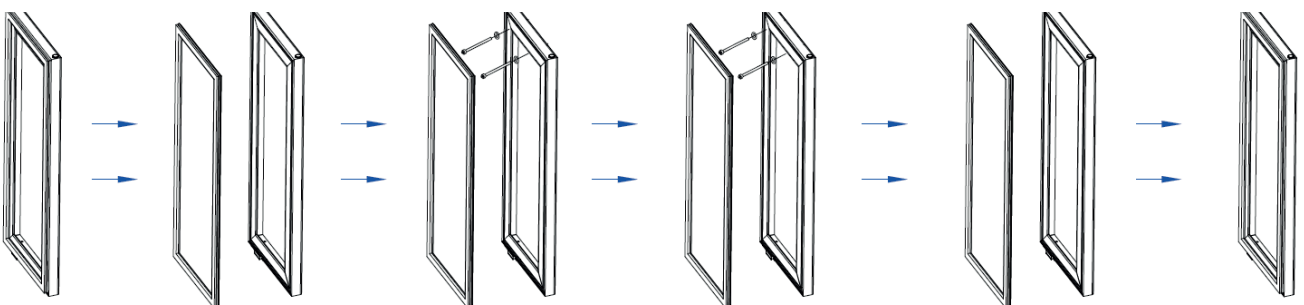


Ventilation

The air at the back panel of the appliance will warm up. This warm air must be able to escape. Your appliance is designed to provide this ventilation. Air inlets and outlets must not be covered or blocked in any way. This will reduce the appliance's capacity and increase power consumption.

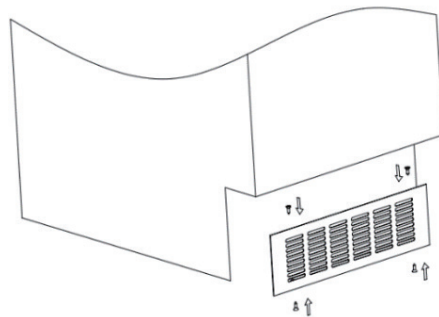
Attaching the handle

1. Separate the gasket from the door gently and put away the gasket. Protect it from deforming or damage.
2. Attach the handle on the outside of the door by fixing the screws with washers from the inside of the door.
3. Fix the gasket gently.



Installing the appliance

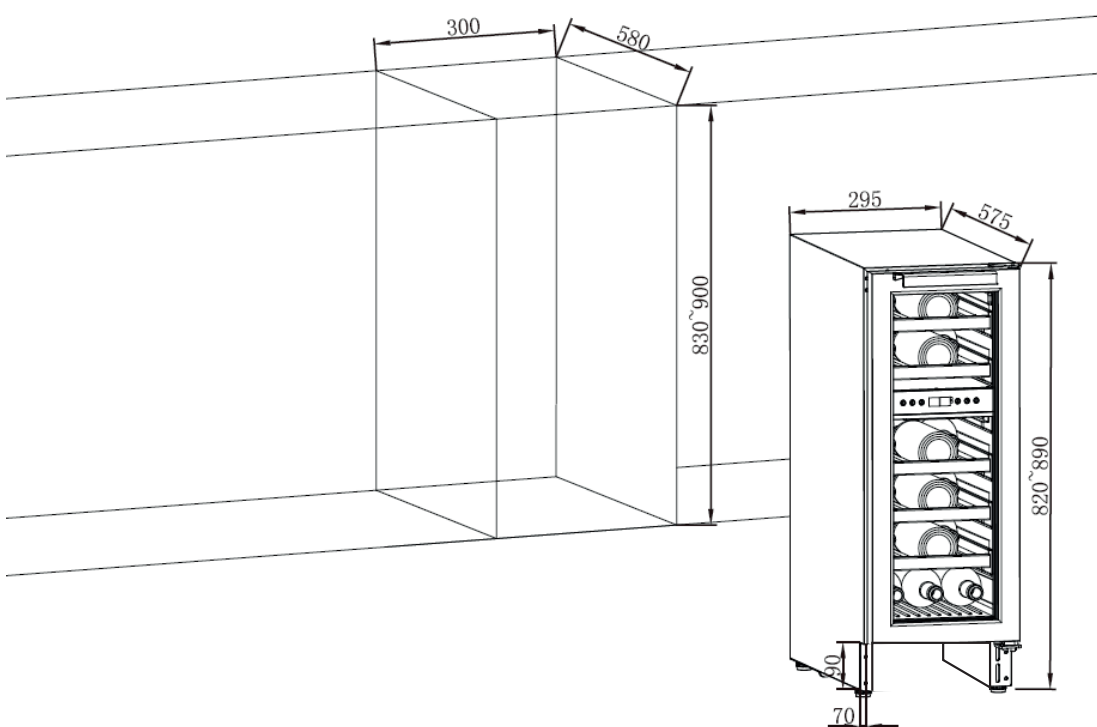
1. Make sure your mains connection is accessible.
2. Align the appliance to the height of the recess by adjusting the adjustable feet.
3. Connect the power cord.
4. Slide the appliance into the recess. Make sure the power cord does not get wedged. The appliance should not be in direct contact with the floor when sliding it into place since this could damage the floor.
5. Cut an opening in the plinth for the supplied air grille and mount it by using four screws.



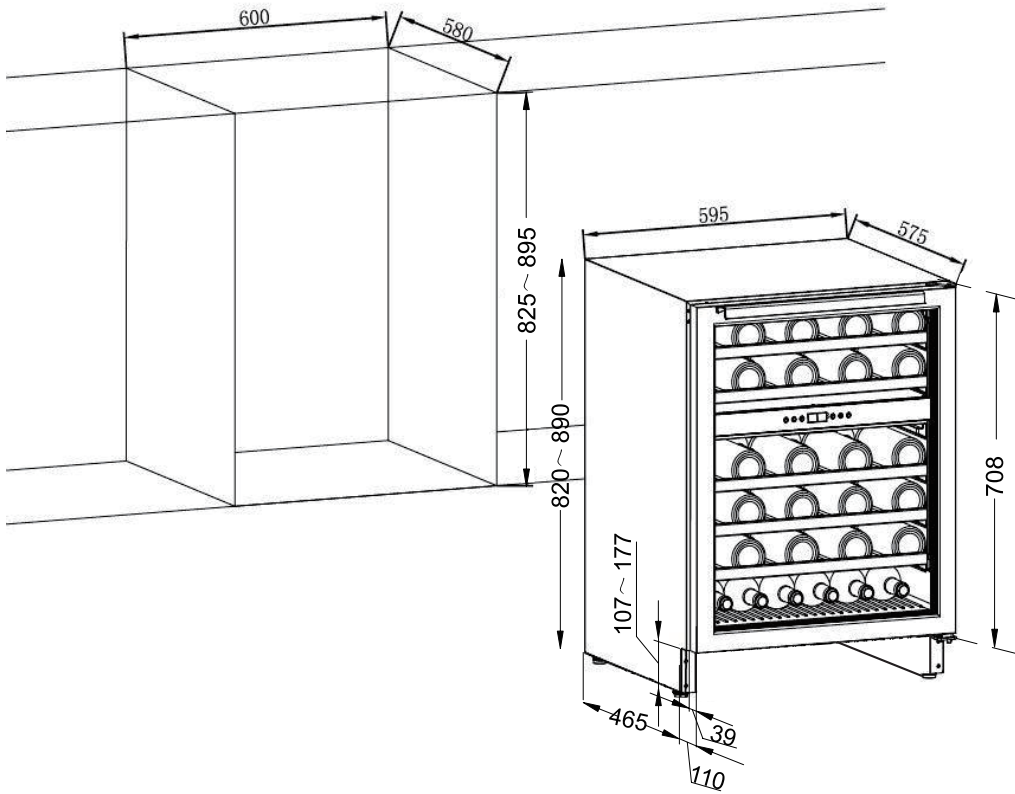
Before using for the first time

Clean the inside of the cooler (see cleaning and maintenance section). Wait for 1 - 1.5 hours after placing the appliance in its final position to allow the refrigerant to settle before connecting it to the mains power supply.

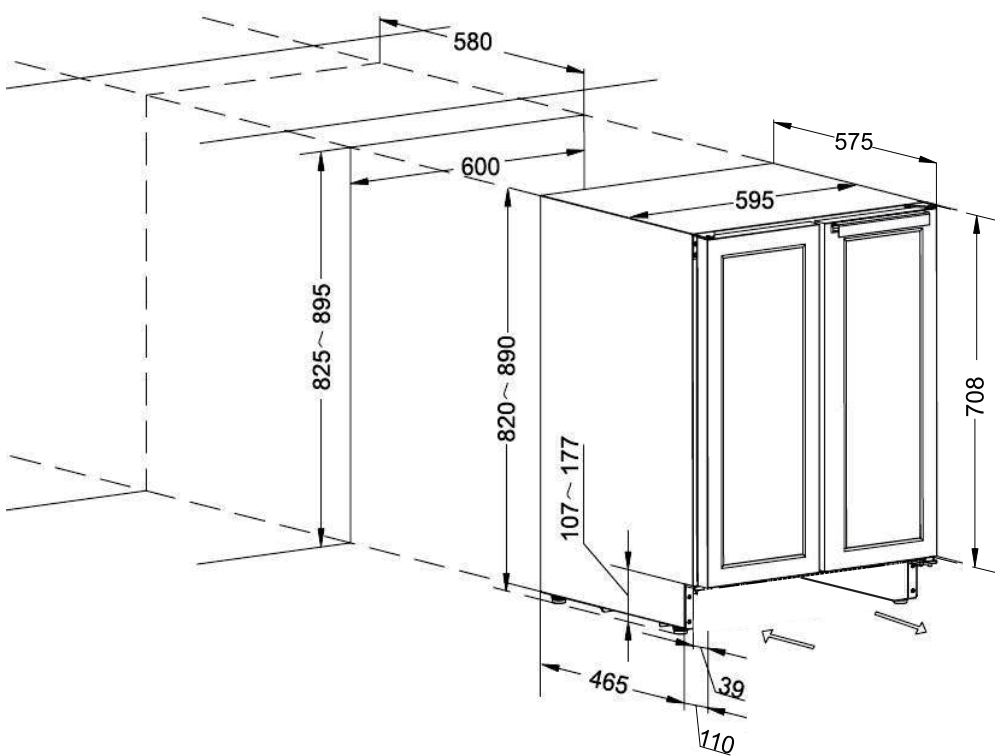
CAVE 30 BU DZ



CAVE 60 BU DZ



CAVE 60 BU DZ D



5.1 Switching the cooler on/off

Press and hold the power button for 6 seconds to switch the wine cooler ON/OFF.

5.2 Temperature settings

CAVE 30 BU DZ and CAVE 60 BU DZ

The preset temperature is 8 °C in the upper zone and 12 °C in the lower zone.

CAVE 60 BU DZ D

The preset temperature is 12 °C in both zones.

Press the + or - buttons for the appropriate zone until required temperature shows in the display.

The display shows set temperature when the cooler is on.

To change the temperature display from Celsius to Fahrenheit or Fahrenheit to Celsius, press and hold key 4+5 button for 2 seconds. The display will show the set value, °C/°F.

5.3 Light

Press the light button to switch the light ON or OFF.

To turn the light ON when door opens, press the light button for 6 seconds, the display will show "OP", which means door control function is ON.

To turn the light function OFF, press the light button for 6 seconds, the display will show "CL", which means the door control function is OFF.

5.4 Lock/unlock display

Press power button and + button at the same time for one second to lock/unlock all buttons on the panel.

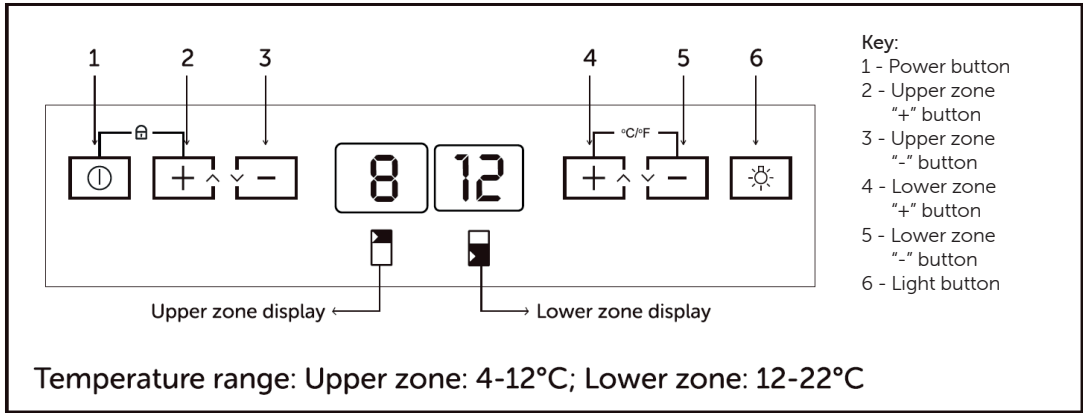
5.5 Door alarm

The wine cooler is equipped with an alarm that will sound if the door is left open for more than 60 seconds. Close door or press any key to mute the alarm.

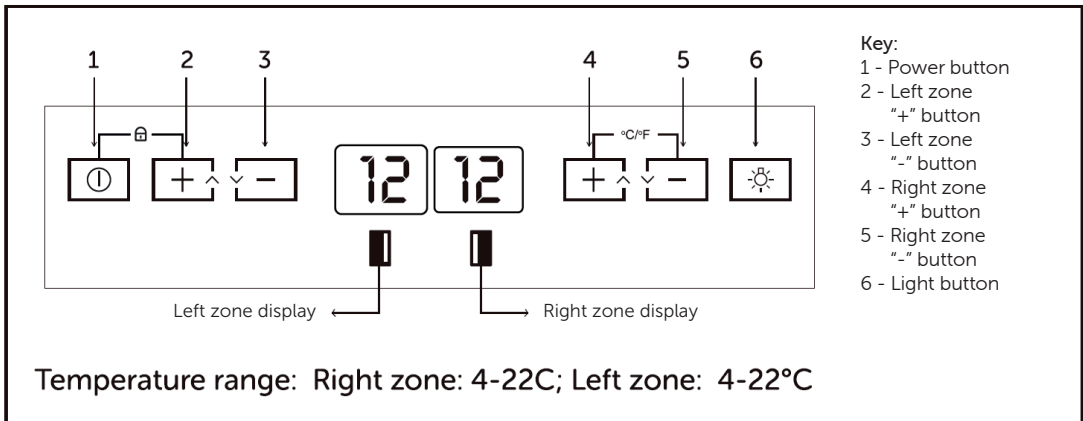
5.6 Defrosting

The wine cooler will defrost automatically every 4 hours for 20 minutes. During defrost, the compressor stops, but the fan will keep running.

CAVE 30 BU DZ and CAVE 60 BU DZ



CAVE 60 BU DZ D



6. Climate class

Ambient temperature

The appliance's temperature range is stated on the data plate inside the appliance. This appliance is designed for use within climate class N, which is equivalent to an ambient temperature between 16 °C - 32 °C.

If the ambient temperature is above or below recommended temperature, the performance of the unit may be affected. For example, placing your unit in extremely cold or hot conditions, may cause interior temperatures to fluctuate. The operation temperature range may not be reached.

Climate class	Ambient temperature
SN	+10 °C til +32 °C
N	+16 °C til +32 °C
ST	+16 °C til +38 °C
T	+16 °C til +43 °C
SN - ST	+10 °C til +38 °C
SN - T	+10 °C til +43 °C

Optimal temperature selection

Whilst wine is best stored at temperatures between 13 °C and 15 °C, your wine can also be stored at drinking temperature. For red wine, this is between 15 °C and 17 °C. For white wine, this is between 12 °C and 13 °C.

Light

A good wine does not like light. Sunlight, and even incorrectly positioned lamps, may impair the wine. White wines are particularly sensitive. They should never be exposed to direct light. Red wines are less sensitive, because the production method and darker bottles help reduce the harmful effect of sunlight. Storing your wine in a dark place will help preserve the wine for longer.

8. Cleaning & maintenance

- The interior of the cooler should be cleaned regularly to avoid odor.
- Switch off the appliance and unplug it. Take out any removable parts (e.g. shelves) for cleaning.
- Clean the shelves with warm soapy water with a mild detergent, and dry with a soft cloth. Do not put shelves in the dishwasher.
- Clean the inside and outside of the appliance, and the door seal, with warm soapy water with a mild detergent. Prevent water from getting directly in to the electronic unit or the lighting.
- Remove excess water with a dry soft cloth, and let air-dry.
- Never use abrasive, corrosive or flammable cleaning equipment or solvents.
- Never use steam cleaning equipment to clean the appliance. Steam could get into the electrical components and cause a short circuit.
- Wipe the door seal with clean water only and then dry with a soft cloth. Never use oils or grease to clean the door seal. These kinds of cleaning agents can cause porosity or deterioration over time.
- Use an appropriate glass cleaner to clean the appliance door.
- Make sure you do not damage the data plate, which is located inside the cooler, during cleaning. The data plate contains important information about the cooler which will be required in the event of servicing.
- Any vents should be cleaned regularly with a brush or vacuum cleaner. Dust accumulation increases the energy consumption of the appliance.
- If the appliance is left empty for long periods, switch off, defrost, clean, and leave the door open to prevent mold developing.

Normal noises

Clicking: Clicking sounds occur when the compressor switches on or off, and when the valve opens and closes.

Gurgling: Gurgling sounds occur when the cooling agent is circulating inside the pipes.

Humming: Humming sounds occur when the compressor is working. This sound can be louder during starts and stops.

Other noises

Some noises can be rectified easily by:

- Levelling the appliance and installing it on a flat surface
- Moving the appliance away from adjacent units to separate them to prevent contact between the appliance and adjacent units
- Placing the internal units (shelves, etc.) in the correct position
- Placing bottles in a stable, lying position

10. Troubleshooting instructions

FAULT	SOLUTION
The appliance is not cooling	<ul style="list-style-type: none"> - Press the ON/OFF button and turn on the appliance. - Ensure the fuse is switched on. - Ensure the power cord is correctly inserted.
The appliance is switching on more frequently and for longer periods	Make sure that the vents are not blocked or dusty.
The compressor runs constantly	<ul style="list-style-type: none"> - The temperature is set too cold: adjust temperature to a warmer setting - The door is open, or something is obstructing proper door closure. - The room temperature is hotter than usual.
The interior light is not working	Order service call.
The door(s) do not close properly	<ul style="list-style-type: none"> - Ensure there are no obstructions preventing door closure. - Ensure that the door compartments and shelves are correctly in place. - Ensure that the door seal is not out of position or torn. - Ensure that the appliance is level.
The door will not open	If the door has just been opened, leave it for few minutes to allow the air pressure to equalize before trying again.
The external fridge surface is warm	The exterior walls can be warmer than room temperature. This is normal while the compressor works to transfer heat from inside the cabinet.
Smells/odors	Check for spillages throughout the cooler. Spillages may cause odors if left unwashed. Clean as advised under cleaning and maintenance.

DESCRIPTION	CAVE 30 BU DZ	CAVE 60 BU DZ	CAVE 60 BU DZ D
Exterior dimensions	295 x 575 x 820 - 880	595 x 575 x 820 - 880	595 x 575 x 820 - 880
W x D x H (mm)	300 x >580 x 820 - 870	600 x >580 x 820 - 870	600 x >580 x 820 - 870
Capacity (standard bottles, 76mm Ø x 3000,5mm)	18	46	42
Climate class	N	N	N
	220-240 V/50Hz	220-240 V/50Hz	220-240 V/50Hz
Lighting	LED light 1W	LED light 1W	LED light 1W
Weight (net/gross)	28,15kg/31,45kg	43,15kg/47,55kg	43,5kg/47,9kg
Refrigerant	R600a	R600a	R600a

12. Disposal of used products

Disposal of the packaging material:

The packaging protects your appliance from damage during transportation. All packaging materials are recyclable and display the recycling symbol.

Ensure that any plastic wrappings, bags, etc. are disposed of safely and kept out of the reach of children, as they are a potential source of danger.

Please ask your dealer or your local authority about relevant means of safe disposal

Disposal of the appliance:

This appliance is subject to European Directive 2002/96/EC on Waste Electrical and Electronic Equipment (WEEE). This symbol indicates that this appliance must not be treated as domestic waste. Valuable raw materials can be reclaimed by recycling old appliances. By disposing of this appliance correctly, you can help prevent potentially negative consequences for the environment and public health

Scrapping the appliance:

Pull out the mains plug.

- Cut off the power cord.
- Ensure that the refrigerant circuit is not damaged before disposal. Information about the refrigerant can be found on the data plate.
- Scrapped appliances must be disposed of in a professional and appropriate way, in accordance with the current local regulations and legislation.





Scandinavian Appliances AS
Postboks 61
1740 Borgenhaugen
Norway
T: +47 815 69 117
post@norcool.no
www.norcool.no



Please visit our website for operating & installation instructions in other languages.

Version 2.0 - July 2021